

1 Installing Roll Pro[®] Shutters Guide Rails

1.1 Position the Guide Rails



Guide Rails positioning

1.2 Check level position of the Guide Rail



Checking level position of Guide Rails.

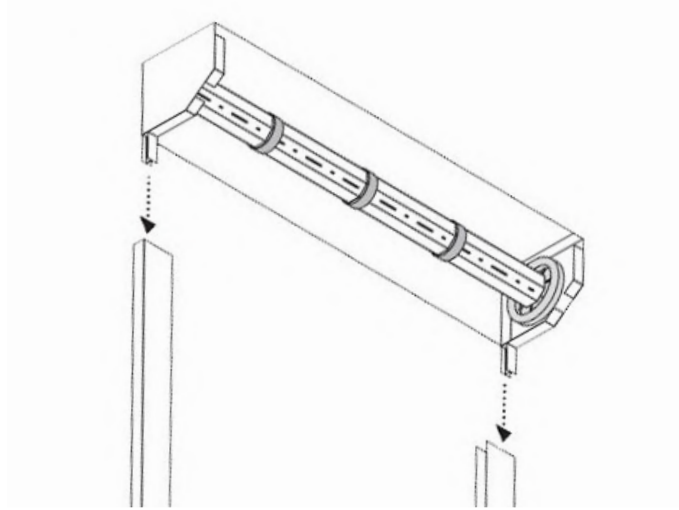
1.3 Secure the Guide Rails in place, as appropriate for mounting surface.



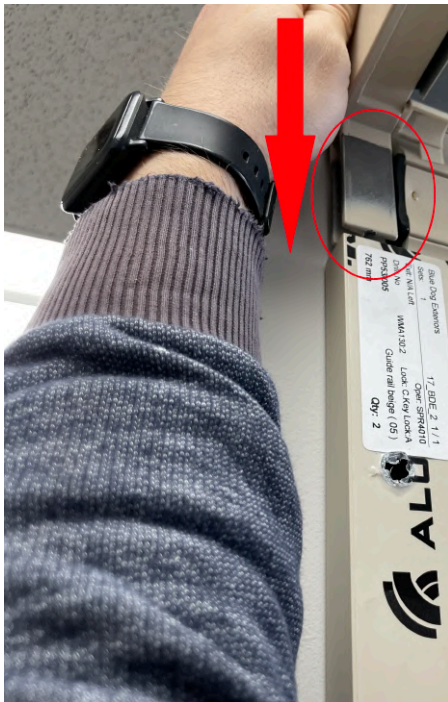
Securing Guide Rails in place.

2 Mount Roll Pro[®] Shutters Box

2.1 Position Box in place.



Be gentle, do not break the side plates



Guide the Box lugs into the Guide Rails.

3 Unplug Roll Pro[®] Shutters Curtain

3.1 Roll the curtain down (close position)



3.2 Unplug the hangers (white thing, which connects shaft and curtain)



4 Prepare a hole for tape tube

4.1 Mark the hole you will need to drill



4.2 Remove the box



4.3 Drill the hole big enough to fit the tube, put the tube inside the wall



5 Positioning of the Coiler Box and tape

5.1 Screw the tape slider against the tube



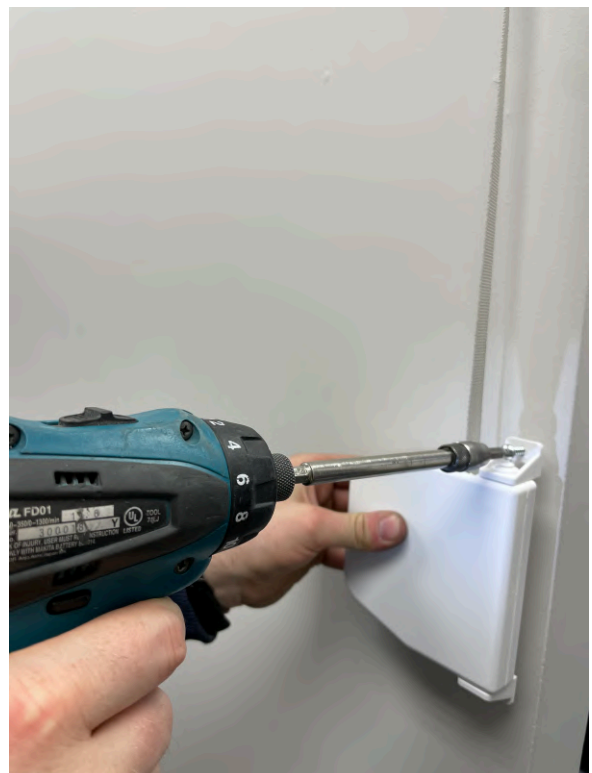
5.2 Remove the box



5.3 Put the tape through the tape slider, so it will stick out of the wall at another side



5.4 Attach the coiler box to the wall



6 Attach tape to the Shutter

6.1 Put the box back



6.2 Unscrew the safety plate



6.3 Pull out the tape



6.4 Screw the tape to the special hole in the plastic wheel



7 Final Assembly

7.1 Secure the safety plate back



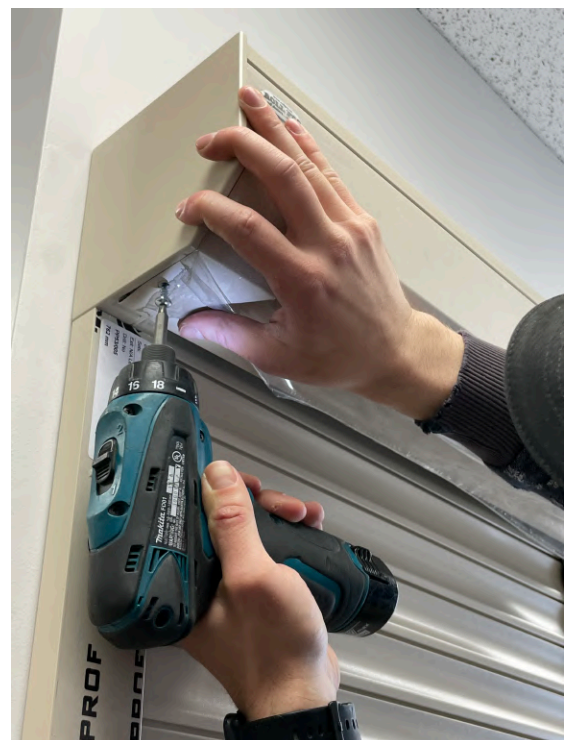
7.2 Roll all available tape to the plastic wheel using shaft



7.3 Attach the hangers back



7.4 Screw the box cap



8 Finish the cosmetic part

8.1 Remove plastic cover.



Peeling off protective plastic.



Peeling away protective plastic from Box Cover.



8.2 Plug any mounting hole on Guide Rails with hole covers.



Plugging up mounting hole.



More questions? Contact us:

Roll Pro[®] Shutters

2160 HWY 7, Unit #28
Concord, ON, Canada, L4K1W6

E-mail: sales@rollpro.ca

Tel: (905)-532-0017

Toll Free: 1-(855)-474-7657

Fax: (905)-532-0017